



EURO VISTA FOLD™

IMPACT RATED ALUMINUM FOLDING DOORS

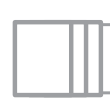
Approved for use in Miami-Dade HVHZ Zones
Florida Building Code Approved
Product Approval FL 17838

www.euro-wall.com
888.989.EURO (3876)

euro-wall®



FOLDING



SLIDING



STACKING



PIVOT

SYSTEM THRESHOLDS

Maximum / Minimum Specifications

Max Panel Weight:	350 lbs each panel
Min Panel Width:	18"
Max Panel Width:	52"
Min Panel Height:	32"
Max Panel Height:	144"
Panel Thickness:	2-1/4"
Max # of Panels:	Unlimited

NOTE: When using maximum panel widths & heights, panels may exceed maximum panel weight of 350 lbs. Calculated weight check should be done. For installations in Florida, please see the Florida Product Approval for usage and limitations.

SYSTEM HIGHLIGHTS

Extrusions

Extruded aluminum 6063-T5 with door panel corner keys for strength and security

Hardware

Stainless steel (316/304SS) components with aluminum hinges

Twinpoint Hardware

Stainless steel (304SS) and aluminum components

Lever Lock Sets

3 hooks + top & bottom shootbolts = 5 point locking system

Multi-point Door Locks

Faceplate, latch and hooks are 304SS

Sills

Standard, standard modified and ADA options

Matching Fixed Units

Matching Florida Product Approved impact rated transom and sidelight units available

Configuration

Straight, segmented or radius (all impact tested / Florida Product Approved)

Corner Units

90° postless corner units (all impact tested / Florida Product Approved)

Largest Panel Sizes

12' tall panels - the largest available HVHZ impact tested and Florida Product Approved folding door panels

Long Lasting Finish

AAMA 2605 coating is the standard finish

Compliant

ADA sill that is HVHZ impact tested

Under Pressure

Up to 100+/- DP impact tested

Weatherstripping

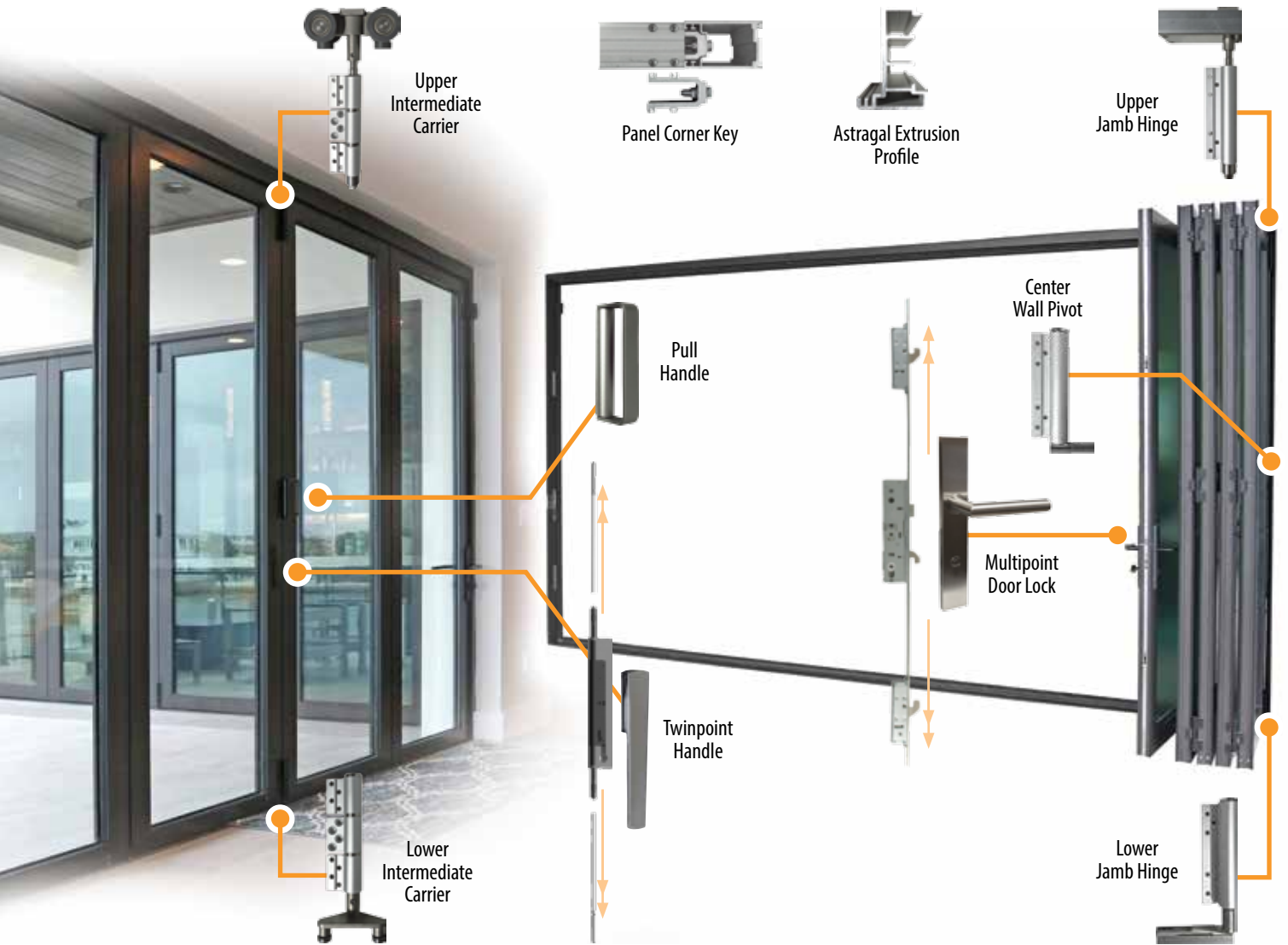
Weatherstripping on all door panels and frames

Aesthetics

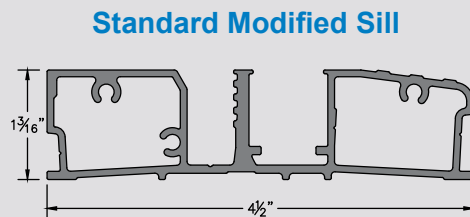
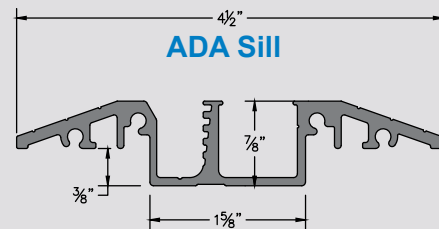
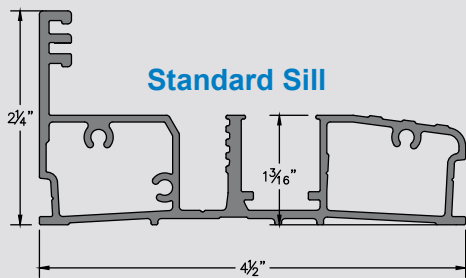
Custom muntins, simulated divided lites and mid-rails



SYSTEM COMPONENTS

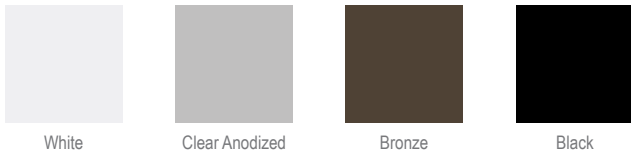


SILL OPTIONS



PANEL FINISH OPTIONS

STANDARD FRAME & DOOR PANEL FINISHES



White

Clear Anodized

Bronze

Black

STANDARD FRAME & DOOR PANEL FINISHES

- Anodized, powder coat or Kynar® finishes available
- Custom powder coat or Kynar® finishes available
- Manufacturer color match options
- 40 Custom wood grain finishes available

INTERIOR WOOD CLAD FINISH OPTION

- Douglas Fir
- Mahogany / Sapele
- White Oak



HARDWARE / HANDLE FINISH OPTIONS

MULTIPOINT LOCK HANDLE



Available Finishes

- Polished Stainless Steel**
- Brushed Satin**
- Bronze**
- Black**

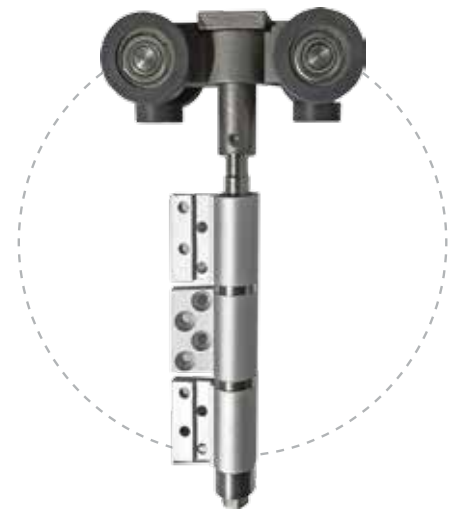
TWINPOINT



Available Finishes

- White**
- Brushed Satin**
- Bronze**
- Black**

HINGES / HARDWARE



Available Finishes

- White**
- Brushed Satin**
- Bronze / Black**

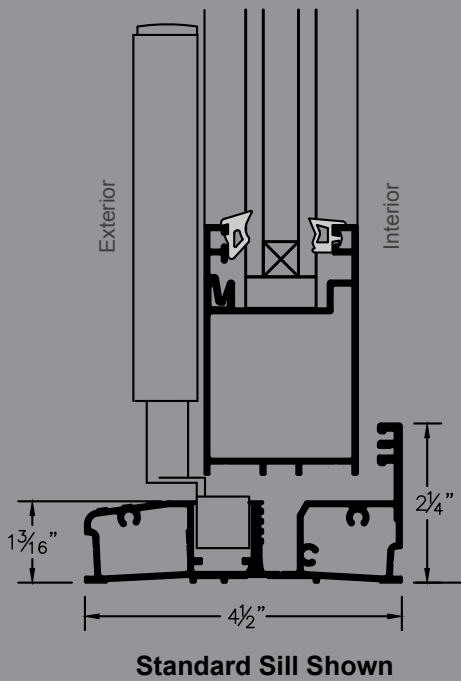
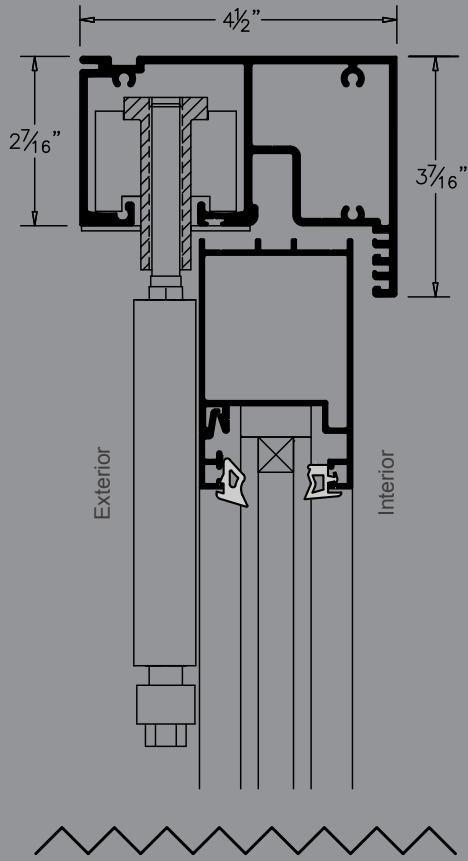
NOTE: The colors shown in this brochure give only an approximation of color and finish. Actual colors and finishes may vary.

SUPERIOR BY DESIGN

FOLDING CONFIGURATIONS

CODE		OPENING CONFIGURATION	
2L		2R	
2L1R		1L2R	
3L		3R	
3L1R		1L3R	
4L		2L2R	
4L1R			
3L2R		<p>NOTE: The configurations on this page are just a few examples of the numerous possibilities for Euro Vista Fold™ Door layout options.</p>	
5L			
3L3R		<p>4L Twinpoint Twinpoint</p> <p>3L Twinpoint Multipoint & Lever Lock Set</p> <p>Twinpoint assembly is used in securing each pair of folding door panels in the closed position.</p>	
7L			
4L3R			
5L2R			
5L5R			
5L7R			
5L9R			
5L11R			

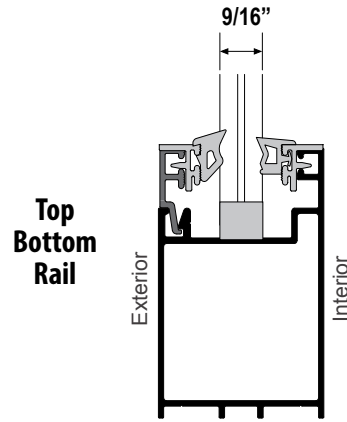
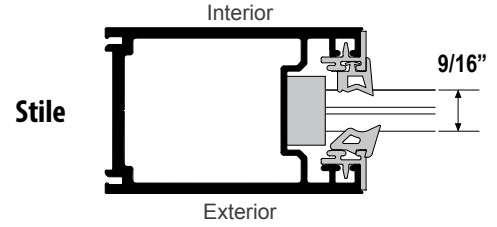
PANEL CROSS SECTION
Outswing Extrusion Shown



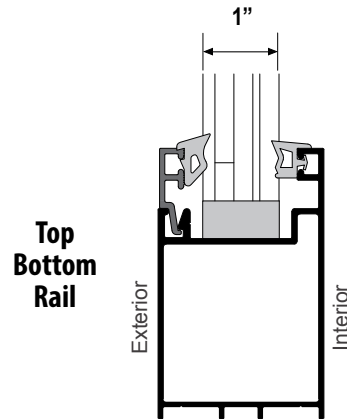
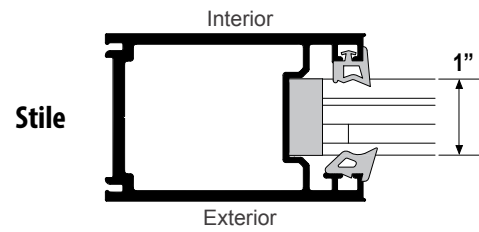
GLAZING DETAILS

Available glass options for the Euro Vista Fold™ Impact Rated Folding Door System are detailed below.

Impact Glass (9/16" Monolithic)



IG Impact



TEST PERFORMANCES

- Approved for use in Miami-Dade HVHZ Zones
- Florida Building Code Approved Product Approval FL 17838
- TAS 201 TAS 202 TAS 203
- Tested for Thermal Requirements
- AAMA / WDMA / CSA 101 / I.S.2 / A440-08 • NAFS-08
- Air Infiltration: A2
- Water Leakage Resistance: DP75 or PG75
- Wind Load Resistance: DP70 to DP100
- Wind Zone 4 (Hurricane) ASTM (cycling) E1996: DP100 (C3 H100 Series)
- Wind Zone 4 (Hurricane) ASTM (impact) E1886: Pass (C3 H100 Series)

DESIGN PRESSURE CHART

		Panel Width (Inches)								
		20	24	28	32	36	40	44	48	52
Panel Height (Inches)	72	100.0	100.0	100.0	100.0	100.0	100.0	100.0	100.0	75.0
	78	100.0	100.0	100.0	100.0	100.0	100.0	100.0	75.0	75.0
	84	100.0	100.0	100.0	100.0	100.0	100.0	100.0	75.0	+60/-65
	90	100.0	100.0	100.0	100.0	100.0	75.0	75.0	+60/-65	+60/-65
	96	100.0	100.0	100.0	100.0	100.0	75.0	+60/-65	+60/-65	+60/-65
	102	100.0	100.0	100.0	93.2	75.0	75.0	+60/-65	+60/-65	
	108	75.0	96.9	83.7	75.0	75.0	+60/-65	+60/-65		
	114	75.0	77.9	75.0	75.0	75.0	+60/-65	+60/-65		
	120	75.0	75.0	75.0	72.9	+60/-65	+60/-61.6			
	126	75.0	75.0	68.0	62.2	55.7	50.5			
	132	75.0	65.4	58.6	51.5	46.1				
	138	68.0	56.9	49.0	43.1	38.5				
	144	57.3	47.9	41.2	36.3					

Note: Applies to both inswing and outswing configurations, segmented and radius installations



EURO-WALL 10 YEAR WARRANTY

Euro-Wall warrants the products to be free from manufacturing defects for a period of 10 years from the date of purchase.

888.989.EURO (3876)

www.euro-wall.com

euro-wall[®]

FOLDING | SLIDING | STACKING

MANUFACTURING

2200 Murphy Court
North Port, Florida 34289
888.989.3876 • 941.979.5316

SHOWROOM

1211 Stirling Road, Unit 102,
Dania Beach, Florida 33004
954.610.2572

Proud Member of the American Architectural Manufacturers Association.

